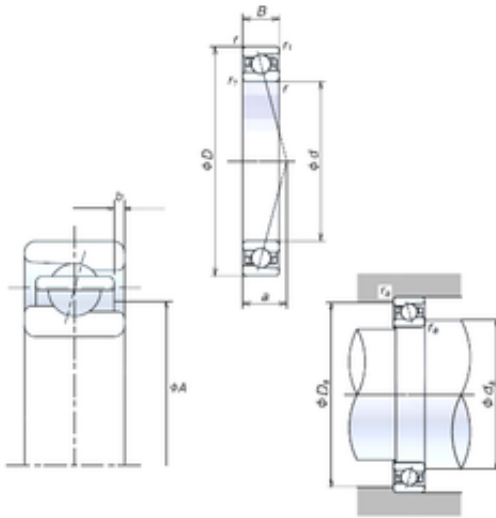




Jinan Yuki Bearing Co., Ltd.

105 mm x 160 mm x 26 mm NSK 105BER10H
angular contact ball bearings

Bearing No. 105BER10H



105BER10H Bearing 2D drawings and 3D CAD models

Size	105x160x26 mm
Bore Diameter	105 mm
Outer Diameter	160 mm
Width	26 mm
d	105 mm
D	160 mm
B	26 mm
C	26 mm
Angle (°)	25 °
a	43,9 mm
b	1,7 mm
r min.	2 mm
r1 min.	1 mm
A	125 mm
da min.	115 mm
Da max.	150 mm
ra max.	2 mm
Weight	1,585 Kg
Basic dynamic load rating (C)	39 kN
Basic static load rating (C0)	39,5 kN
(Grease) Lubrication Speed	12100 r/min